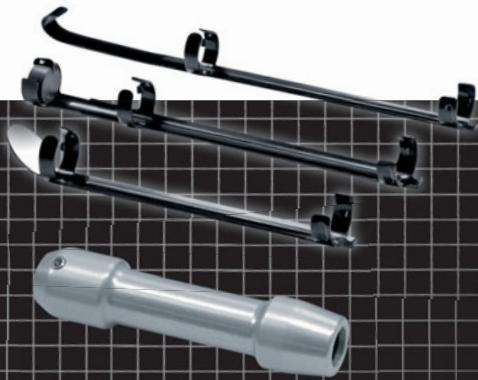
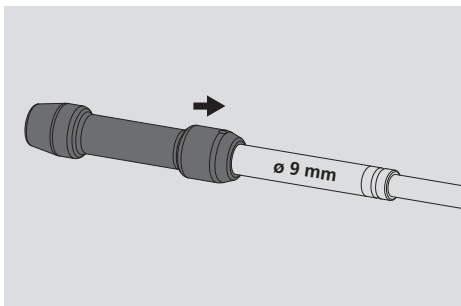


## VideoFlex G2 Accessories



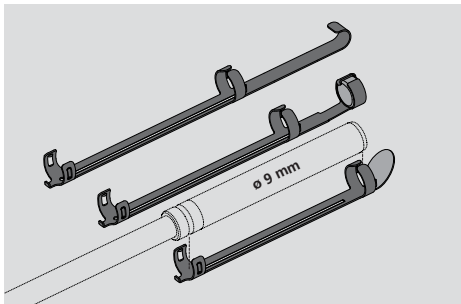
### Inspection accessory for VideoFlex G2

Rev.1212



#### TopGuide G2

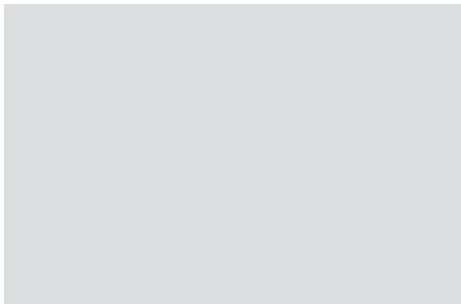
- Aluminium **guide sleeve** for mounting on the camera head
- The specially ground sleeve allows for **optimal gliding on uneven surfaces**, for example dirty pipes.
- **Reduces jamming and contamination** of the camera head.
- Suitable for **9 mm camera head**



#### TopClips G2

- **Magnet, mirror and hook attachment** for mounting on camera head
- Suitable for **9 mm camera head**
- **Clip mechanism** for easy attachment and removal

Only for SnakeCamera and FlexCamera.



Guide sleeve for mounting on the camera head

Clip mechanism for easy attachment and removal

ARTICLE	ARTICLE NO.	EAN CODE	PU
TopGuide G2	082.124A	4 021563 683079	2
TopClips G2	082.123A	4 021563 680610	2

TECHNICAL DATA
<b>TOPGUIDE G2</b>
<b>MATERIAL</b> aluminium
<b>OUTER DIAMETER</b> 16 mm
<b>TOPCLIPS G2</b>
<b>MATERIAL</b> Spring steel sheet



#### TopGuide G2

**Packing dimension (W x H x D)**  
90 x 143 x 30 mm



#### TopClips G2

**Packing dimension (W x H x D)**  
90 x 143 x 30 mm