

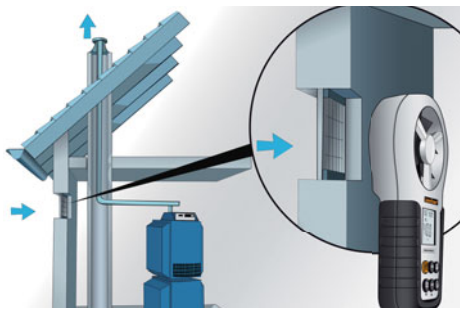
# Laserliner®

## AirflowTest-Master



### Professional anemometer for measuring volumetric flow and wind speed

Rev.0212



Illuminated display



Large impeller: 65 mm

- Integrated sensor for **measuring ambient temperature, relative humidity and dew point calculation**
- Internal memory for **saving measured data**
- **USB interface** and PC software for real-time logging
- **Large impeller:** 65 mm
- **Min/Max display**
- **Hold function:** the current measured value is held in the display
- **1/4" tripod connection** for long-term measurement
- Measurement in **°C or °F**
- **Illuminated, clearly arranged display** with permanently visible ambient temperature and relative humidity

#### TECHNICAL DATA

##### MEASURING RANGE / ACCURACY:

FLOW RATE:  
0,80 m/s ... 30 m/s / ± 2%  
AMBIENT TEMPERATURE:  
-10°C ... 60 °C / ± 1,5 °C  
RELATIVE HUMIDITY:  
20% ... 80% / ± 3%

##### MEASURING RANGE

Air flow: 0 ... 99990 CMM

**DIMENSIONS** (W x H x D)  
85 x 165 x 38 mm

**POWER SUPPLY**  
1 x 9V 6F22

**WEIGHT** 200 g



**AirflowTest-Master**  
including: carrying case  
+ software  
+ USB Cable  
+ battery

**Packaging dimension** (W x H x D)  
155 x 265 x 81 mm

ARTICLE	ARTICLE NO.	EAN-CODE	PU
AirflowTest-Master	082.140A	4 021563 680566	2

